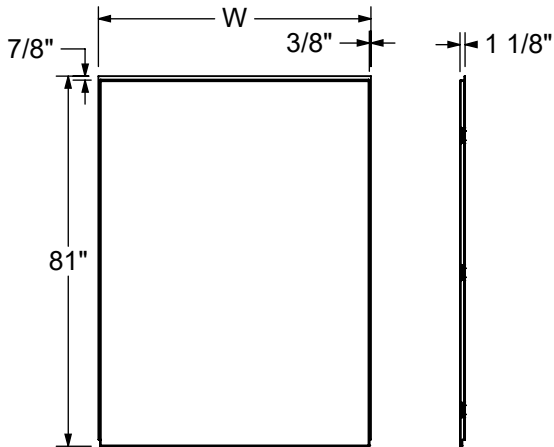
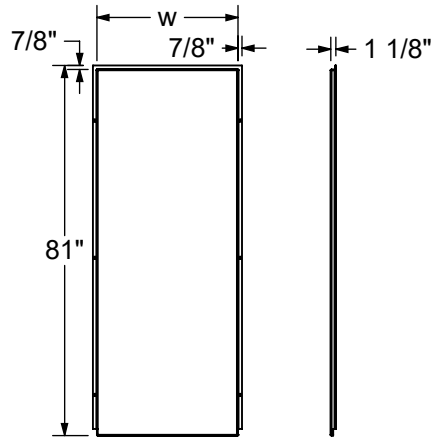


BACK WALL



Code	Description	W (in.)
103411	Utile 48 in. back wall	47 5/8
103412	Utile 60 in. back wall	59 5/8

SIDE WALL

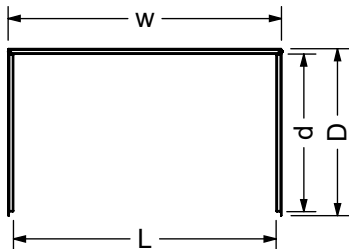


Code	Description	W (in.)
103409	Utile 32 in. side wall	32 1/2

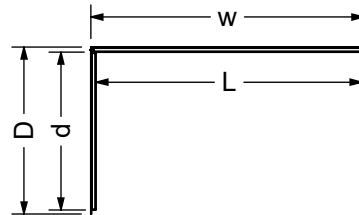
TOP VIEW (ASSEMBLED)

Configuration	W (in.)	L alcove (in.)	L corner (in.)	D (in.)	d (in.)
Utile 4832	47 3/4	45 1/2	46 1/4	32 3/4	30 3/4
Utile 6032	59 3/4	57 1/2	58 1/8	32 3/4	30 3/4

ALCOVE



CORNER



This product is designed to be installed in a building that conforms with the requirements of the National Building Code of Canada 2005

All dimensions are approximate. Structure measurements must be verified against the unit to ensure proper fit.