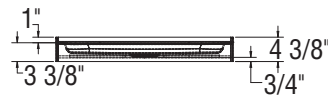
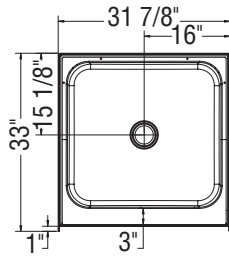
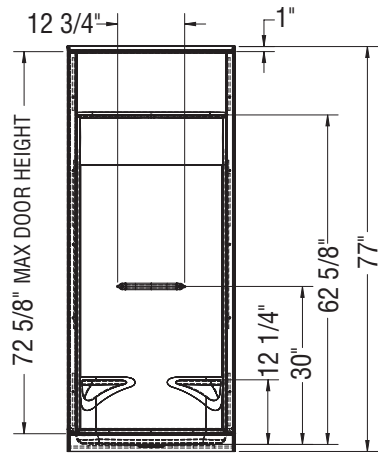
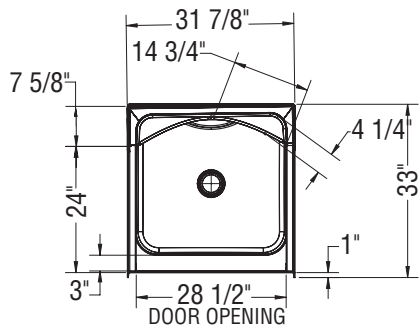
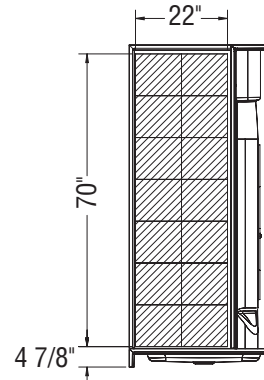


## STANDARD

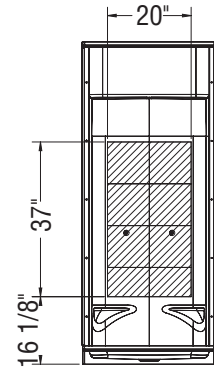


## REINFORCEMENT BACKING

OPTION 20198 SHOWN  
OPTION 20197 SYMMETRICAL

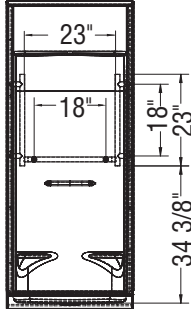


OPTION 20199

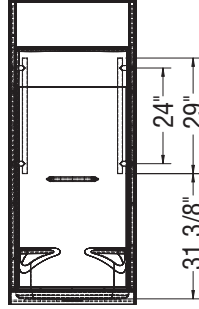


## GRAB BARS

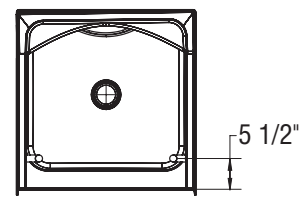
OPTION 20203



OPTION 20204



OPTION  
20203-20204



All dimensions are approximate. Structure measurements must be verified against the unit to ensure proper fit.  
\* Dimensions indicated on product pages exclude tiling flanges.