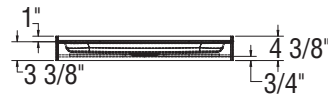
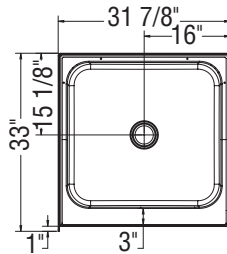
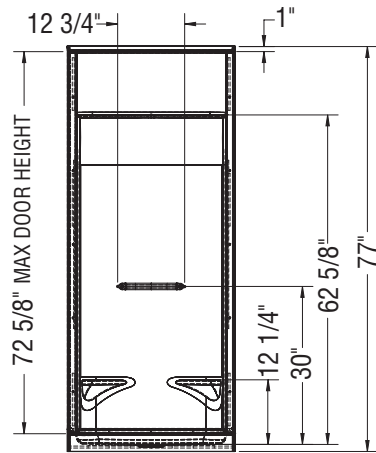
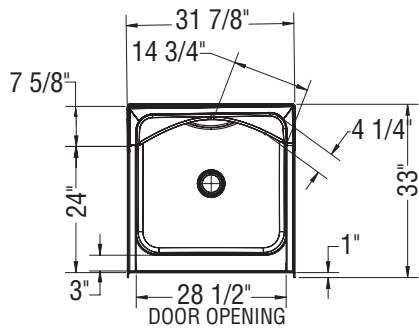
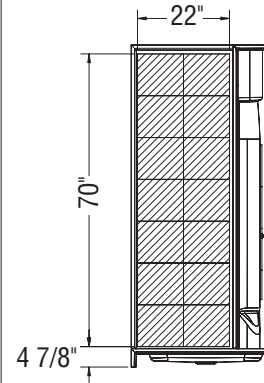


STANDARD

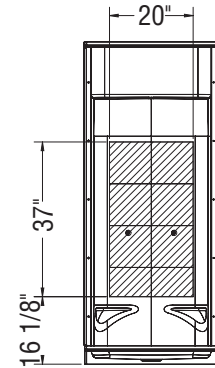


REINFORCEMENT BACKING

OPTION 20198 SHOWN
OPTION 20197 SYMMETRICAL

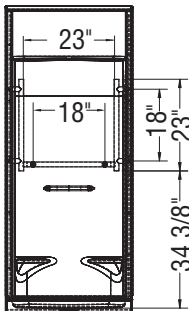


OPTION 20199

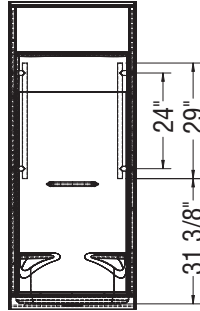


GRAB BARS

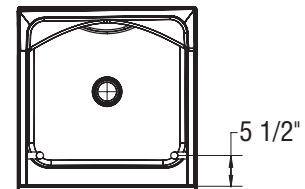
OPTION 20203



OPTION 20204



OPTION
20203-20204



All dimensions are approximate. Structure measurements must be verified against the unit to ensure proper fit.

* Dimensions indicated on product pages exclude tiling flanges.