



CADET®3 DUAL FLUSH RIGHT HEIGHT™ ELONGATED LINED TOILET

3380 516ST

- Vitreous china
- Right Height Elongated Siphonic action dual flush combination bowl and tank
- Siphon action bowl with direct-fed jet
- High efficiency low-consumption Dual Flush
 - Full flush 6.0 Lpf/1.3 gpf,
 - Partial flush 3.8 Lpf/0.84 gpf.
- Exclusive PowerWash™ rim technology that scours the bowl clean with pressurised water with each flush
- No tools installation, simple DIY installation
- 419mm (16-1/2") rim height for accessible applications
- Certified in EPA Water SenseSM program
- Qualifies in LEED Program
- Fully glazed 51mm (2") trapway
- Generous 229 x 208mm (9 x 8") water surface
- Chrome-plated top mounted push button actuator
- Sanitary dam on bowl
- 100% factory flush tested
- Includes EverClean® Slow Close Elongated Seat
- 2 colour-matched bolt caps
- 2 year warranty
- All in one box solution: Bowl, Tank, Toilet Seat, Wax ring and matching bolts

Separate Component Parts:

- 3710 216 Right Height™ Elongated Bowl
- 4349 516 Lined Tank

Nominal Dimensions:

756 x 380 x 787mm
(29-3/4" x 15" x 31")

Compliance Certifications -

Meets or Exceeds the Following Specifications:

- ASME A112.19.2-2008/CSA B45.1-08
Trap Seal Depth and all Dimensions
- US EPA WaterSenseSM criteria for HET program

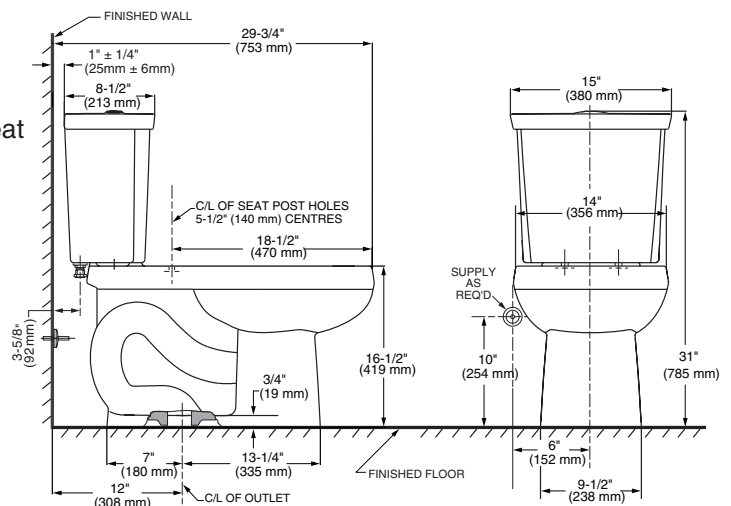
To Be Specified

- Colour: White
- Supply with stop:



● When installed so top of seat is 432 to 483mm (17" to 19") from the finished floor.

MEETS THE AMERICAN DISABILITIES ACT GUIDELINES AND ANSI A117.1 REQUIREMENTS FOR ACCESSIBLE AND USEABLE BUILDING FACILITIES-CHECK LOCAL CODES.



NOTES:

THIS TOILET IS DESIGNED TO ROUGH-IN AT A MINIMUM DIMENSION OF 305MM (12") FROM FINISHED WALL TO C/L OF OUTLET.
SUPPLY NOT INCLUDED WITH FIXTURE AND MUST BE ORDERED SEPARATELY.
* DIMENSION SHOWN FOR LOCATION OF SUPPLY IS SUGGESTED.
FOR ADDITIONAL INFORMATION REFER TO INSTALLATION INSTRUCTIONS SUPPLIED.
IMPORTANT: Dimensions of fixtures are nominal and may vary within the range of tolerance established by ANSI Standard A112.19.2
These measurements are subject to change or cancellation. No responsibility is assumed for use of superseded or voided pages.

