

### Features

- 22-1/4" (565 mm) x 18-1/4" (464 mm)
- 8" (203 mm) widespread faucet holes
- Stainless steel rim guard adds durability
- Sink exterior is an unpainted, ground-coat surface. Submitted pictures are customer photos that may reflect an alteration to the exterior, such as painting or refinishing, and may no longer reflect the raw elements of the cast iron material as purchased
- Rectangular basin
- Without overflow
- Sink drain with strainer sold separately

### Material

- KOHLER® enameled cast iron

### Installation

- Wall-mount

### Recommended Products/Accessories

- K-8905 Service Sink Faucet
- K-8907 Service Sink Faucet

### Optional Products/Accessories

- K-9142 Service Sink Strainer
- K-9146 Service Sink Strainer
- K-9147 Service Sink Strainer
- K-23726 Drain treatment
- K-23725 Cast iron cleaner
- K-9018 P-Trap
- K-6672
- K-6673 Adjustable Trap

### Included Components

Additional Components:

- Hanger(s)
- Stainless steel rim guard



### Codes/Standards

ASME A112.19.1/CSA B45.2

### KOHLER® Enameled Cast Iron Kitchen and Bathroom Sink Lifetime Limited Warranty

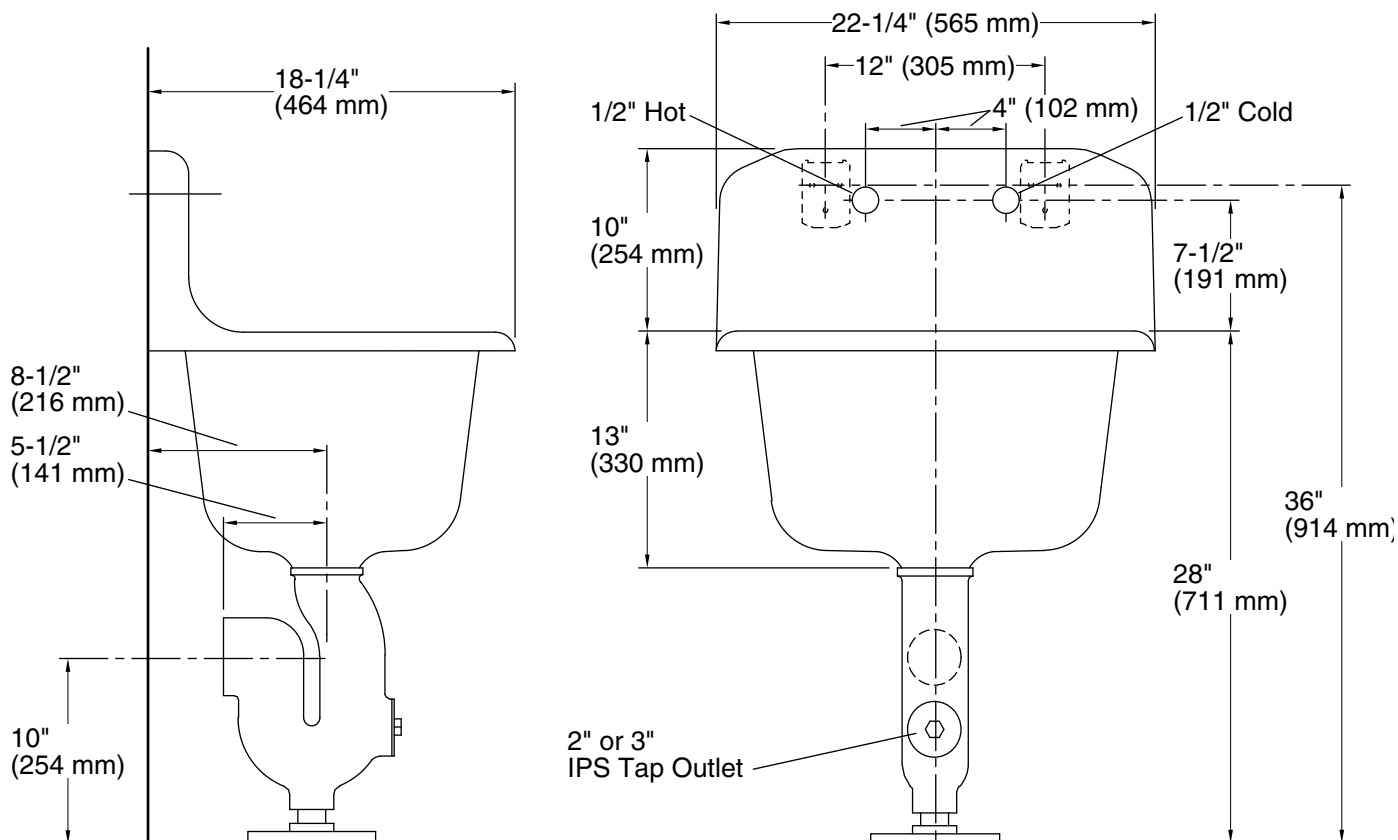
See website for detailed warranty information.

### Available Colors/Finishes

*Color tiles intended for reference only.*

Color	Code	Description
-------	------	-------------

	0	White
---	---	-------



### Technical Information

All product dimensions are nominal.

Bowl configuration:	Single
Installation:	Wall-mount
Center(s):	8
Min. base cabinet width:	26" (660 mm)
Bowl area (Only):	Length: 18" (457 mm) Width: 14" (356 mm) Water depth: 12" (305 mm)
Number of deck holes:	2
Faucet hole spacing:	8" (203 mm)
Faucet hole(s):	1-1/2" (38 mm)
Drain hole:	3-1/8" (80 mm)

### Notes

Install this product according to the installation instructions.

**WARNING:** Risk of personal injury. The rim guard has sharp edges. Use caution when handling.

**IMPORTANT:** This product is not intended for installation in a residential setting.