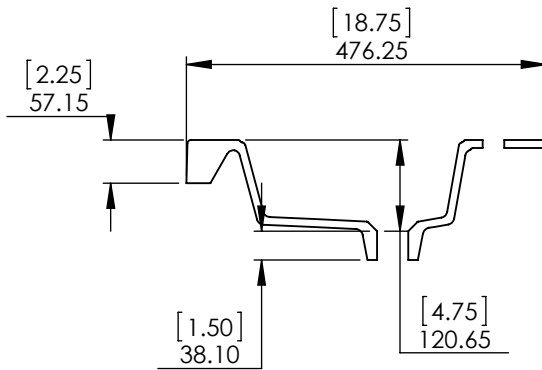
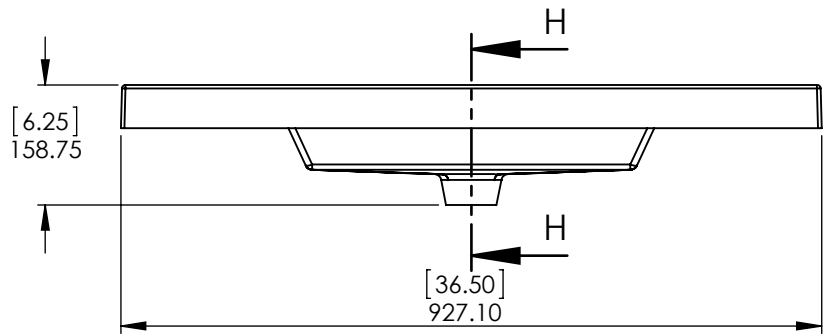
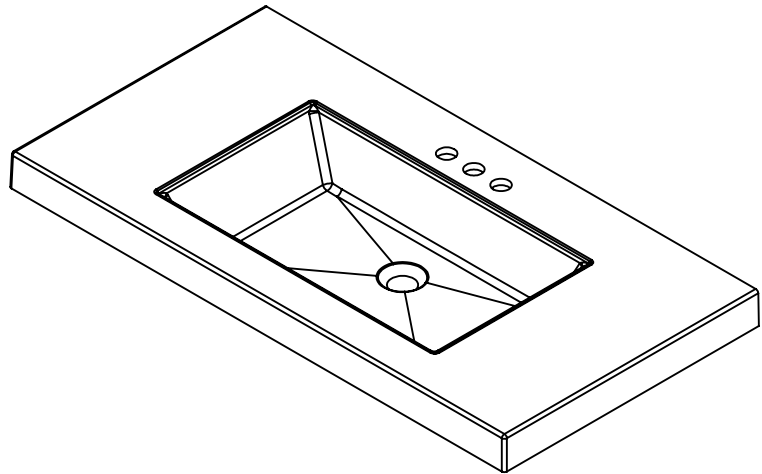
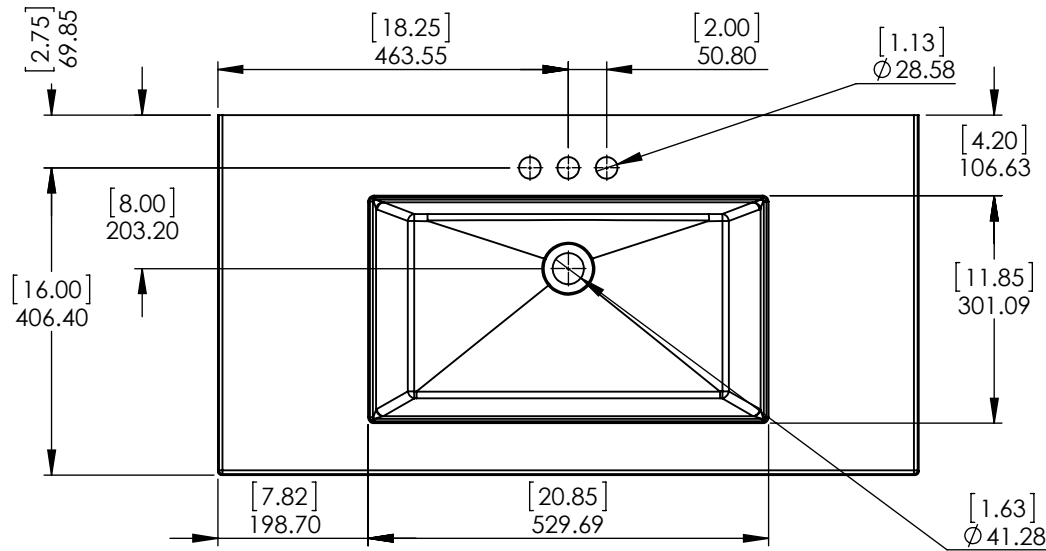


ID	Description	Technology	Status
595426	Vtop Oslo 36.5x18.75 White	Solid White	Approved for production

Rev #	Approved by	Change
0	R. Rubio	Released

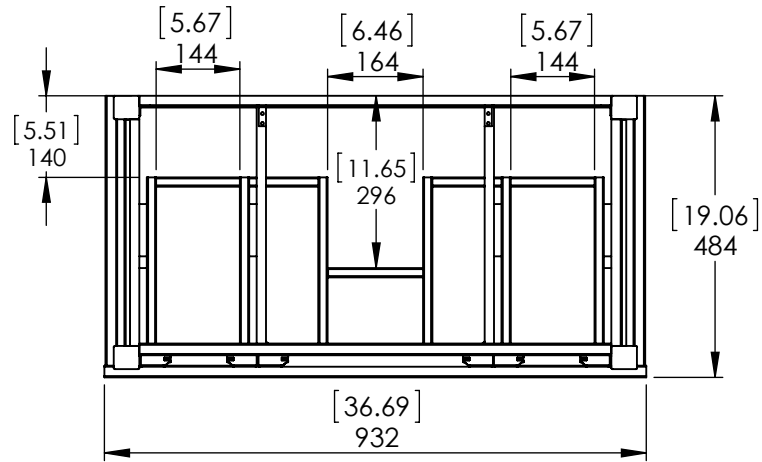


NOTE: MAX. WARPAGE
TOLERANCE 1/8"

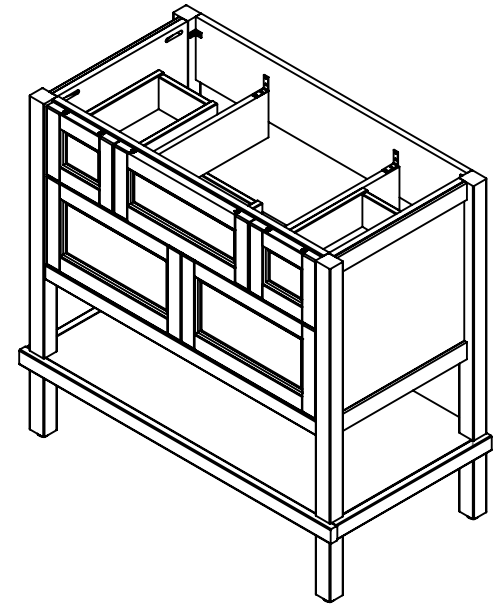
PROPRIETARY AND CONFIDENTIAL		UNLESS OTHERWISE SPECIFIED		DRAWN		NAME		DATE	
THE INFORMATION CONTAINED IN THIS DRAWING IS THE SOLE PROPERTY OF WOODCRAFTERS. ANY REPRODUCTION IN PART OR AS A WHOLE WITHOUT THE WRITTEN PERMISSION OF WOODCRAFTERS IS PROHIBITED.		DIMENSIONS ARE IN MM. AND (INCHES)		R. Rubio		R. Rubio		11/01/16	
		TOLERANCES ARE + 0.125 [3.175] - 0.125 [-3.175]		CHECKED		R. Rubio		11/01/16	
		SCALE:1:10		ENG APPR.		R. Rubio		11/01/16	
				MFG APPR.		C. Leal		11/01/16	



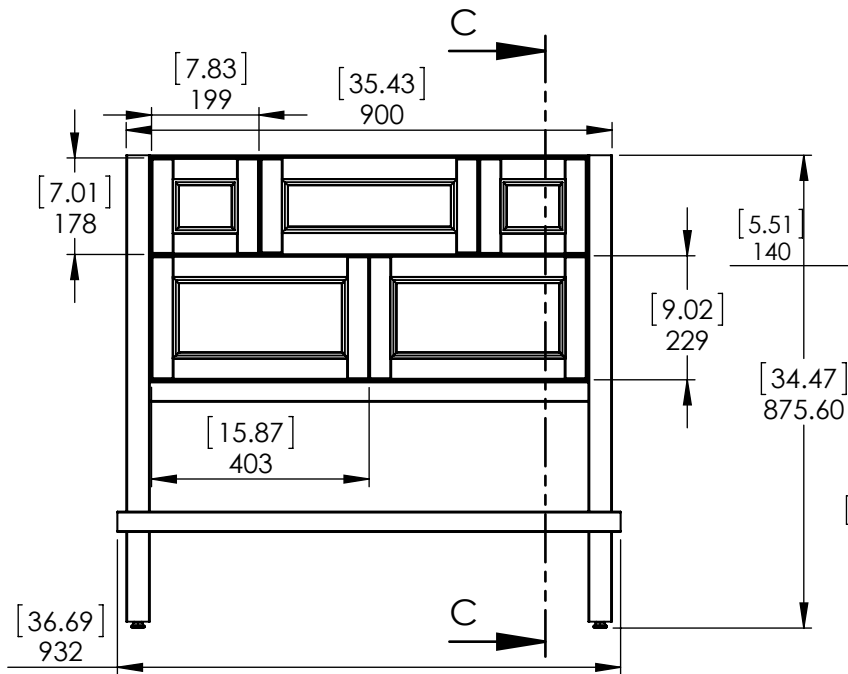
SIZE	DWG. NO.	SHEET 1 OF 1	REV.
A	Vtop Oslo 36.5x18.75 4in		0



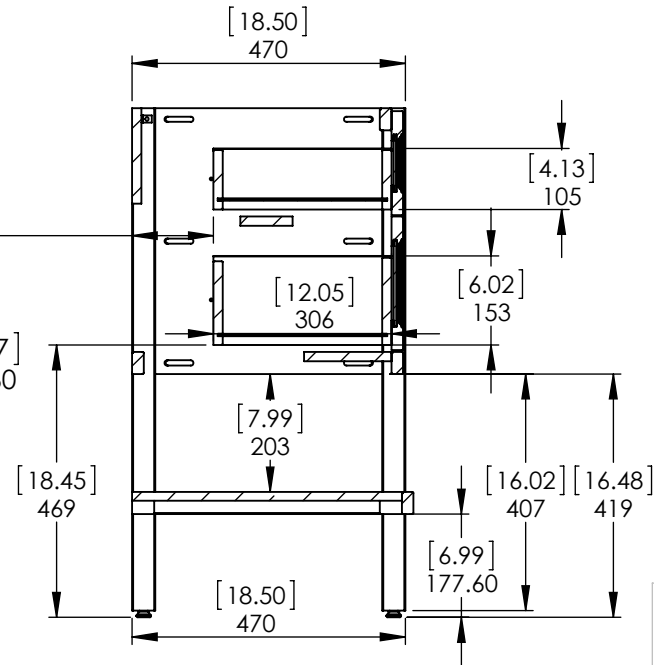
Top View



Isometric View



Front View



SECTION C-C
SCALE 1 : 13



ITEM: **ALII36P2-CH**
ALII36P2-BU
ALII36P2-TG
ALIIP2-WH
ALIIP2C-WH

REV **A**

Name: **Ashland 36 in**

DRW:	AEP	01/02/19
REV:	ING	01/02/19
APP:	R&D	01/02/19
SCALE:	1:15	MODEL:

MATERIAL: **German Beech 4/4**
Laminated Particle Board

Vanity Ashland 36