



Buy it for looks. Buy it for life.®

# Specifications

## DESCRIPTION

- Metal construction with chrome plated finish
- 1/2" IPS connections
- Optional knob handle assembly available with purchase

## OPERATION

- Pivot action lever style handle
- Temperature controlled through 100° degree arc of handle travel

## FLOW

- Water usage is limited to these maximum flow rates as indicated by the corresponding product markings
  - 1.2 gpm max (4.5L/min) at 60 psi

## CARTRIDGE

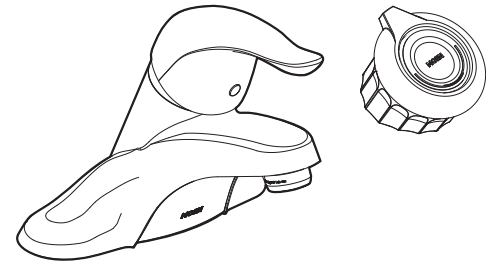
- 1255™ Duralast™ cartridge
- Nonmetallic/nonferrous and stainless steel material

## STANDARDS

- Third party certified to WaterSense®, ASME A112.18.1/CSA B125.1 and all applicable requirements referenced therein
- Certified to NSF 61/9 & 372
- Products marked with 1.2 gpm are compliant with California water efficiency regulations
- Complies with California Proposition 65 and with the Federal Safe Drinking Water Act

## WARRANTY

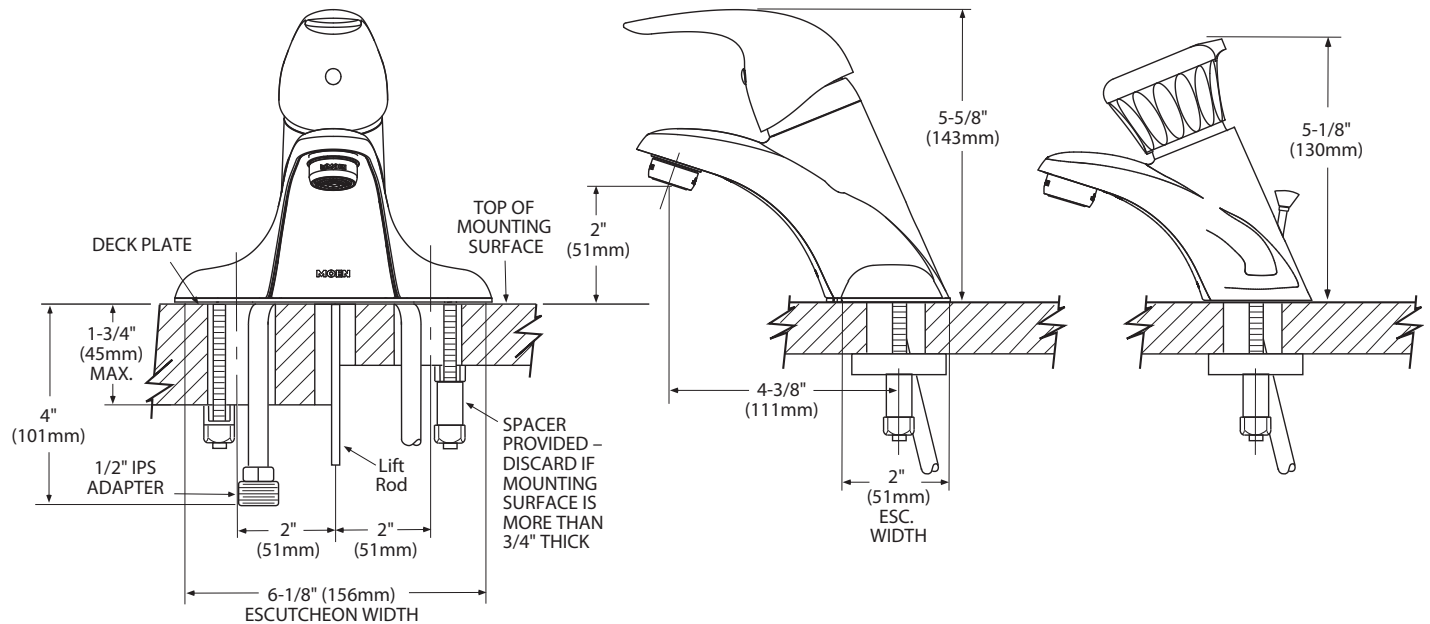
- Lifetime limited warranty against leaks, drips and finish defects to the original consumer purchaser
- 5 year warranty if used in commercial installations



## Single-Handle Lavatory Faucet with Optional Knob Handle Assembly

Model: WS84503

**NOTE:** THIS FAUCET IS DESIGNED TO BE INSTALLED THRU 3-1" DIA. HOLES, 2" ON CENTER



## CRITICAL DIMENSIONS

(DO NOT SCALE)