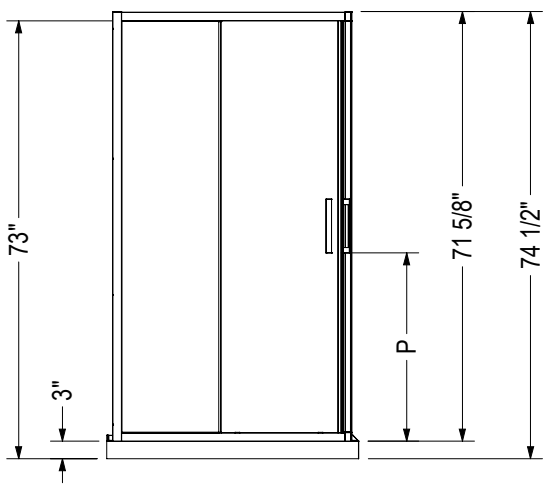
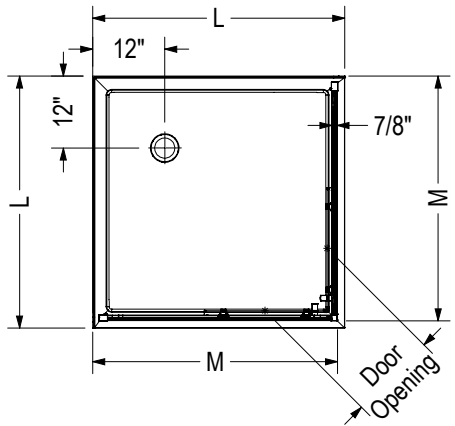
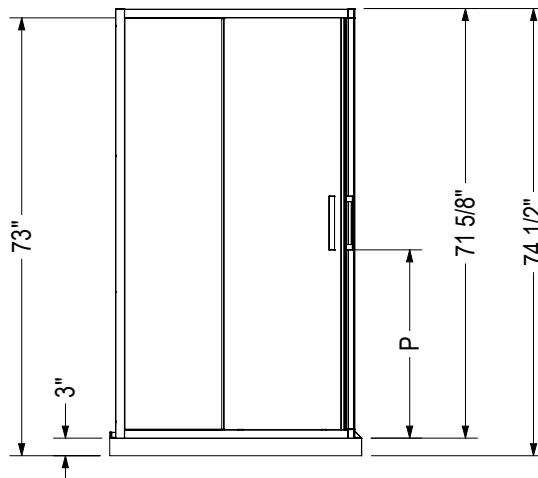
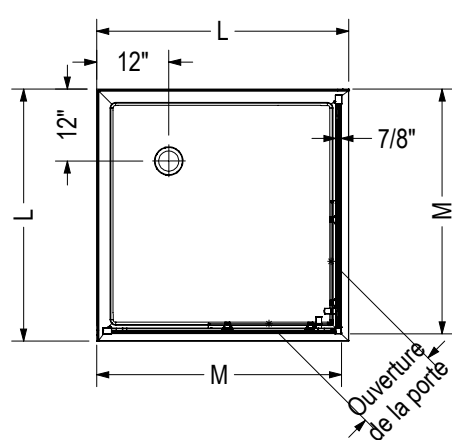


STANDARD



Code	Description	L	M Adjustable	Door Opening	P	Wall adjustment
107484 & 107485	Scarlet Square 32" x 32" 6mm	32"	29 7/8" - 30 5/8"	15 3/16"	31 3/8"	3/4"
107481 & 107482	Scarlet Square 36" x 36" 6mm	36"	32 15/16" - 33 3/4"	17 5/16"	31 3/8"	3/4"
107486 & 107487	Scarlet Square 42" x 42" 6mm	42"	40 3/4" - 41 1/2"	22 13/16"	31 3/8"	3/4"

All dimensions are approximate. Structure measurements must be verified against the unit to ensure proper fit.



Code	Description	L	M Ajustable	Ouverture de la porte	p	Ajustement mural
107484 & 107485	Scarlet Square 32" x 32" 6mm	32"	29 7/8" - 30 5/8"	15 3/16"	31 3/8"	3/4"
107481 & 107482	Scarlet Square 36" x 36" 6mm	36"	32 15/16" - 33 3/4"	17 5/16"	31 3/8"	3/4"
107486 & 107487	Scarlet Square 42" x 42" 6mm	42"	40 3/4" - 41 1/2"	22 13/16"	31 3/8"	3/4"

Toutes ces dimensions sont approximatives. Afin d'assurer une installation parfaite, les dimensions de la structure doivent être vérifiées à partir de l'unité.