

# MOEN®

## Specifications

### DESCRIPTION

- Metal construction with various finishes identified by suffix
- Power Clean™ spray technology
- Pullout spray with 59" braided hose
- Flexible supplies with 3/8" compression fittings

### OPERATION

- Lever style handle
- Temperature controlled by 100° arc of handle travel
- Spout rotation is 120°
- Operates with less than 5lbs. of force
- Operates in stream or spray mode in the pullout or retracted position


### FLOW

- Flow is limited to 1.5 gpm (5.7 L/min) at 60 psi

### CARTRIDGE

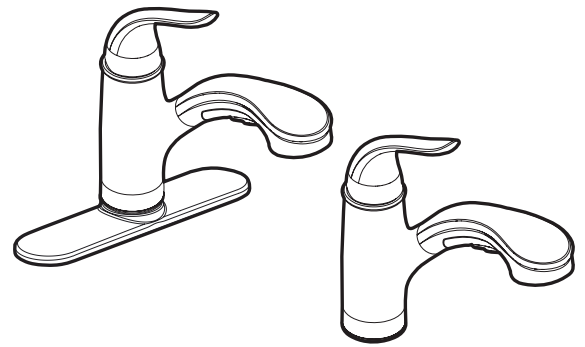
- 1255™ Duralast™ cartridge

### STANDARDS

- Third party certified to IAPMO Green, ASME A112.18.1/CSA B-125.1 and all applicable requirements referenced therein including NSF 61/9 & 372
- Meets CalGreen and Georgia SB370 requirements
- Complies with California Proposition 65 and with the Federal Safe Drinking Water Act
- The backflow protection system in the device consists of two independently operating check valves, a primary and a secondary which prevent backflow
- **ADA**  for lever handle

### WARRANTY

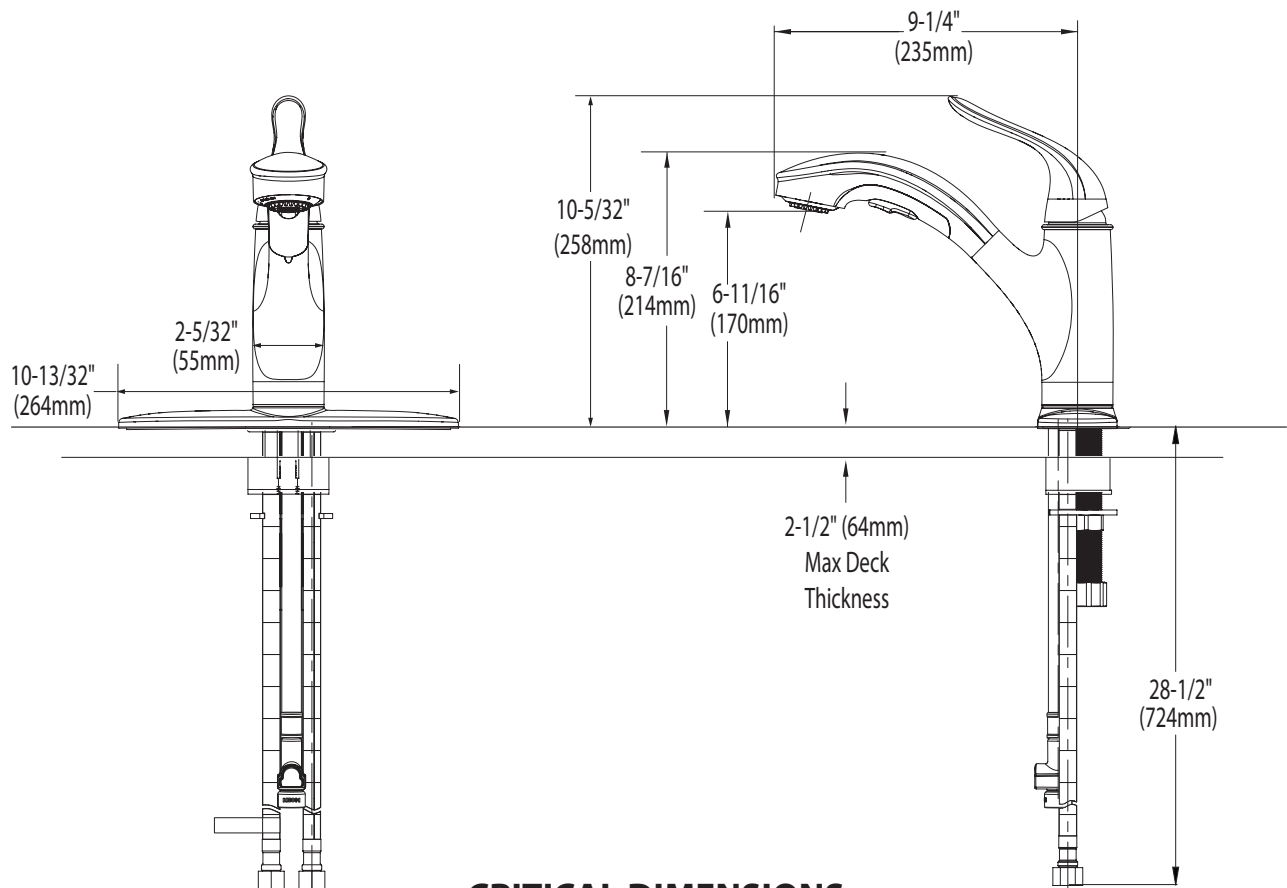
- Lifetime limited warranty against leaks, drips and finish defects to the original homeowner
  - 10 year limited warranty when used in a multifamily installation
  - 5 year limited warranty when used in a commercial installation
- Visit [www.moen.com/support](http://www.moen.com/support) for complete details and limitations



### Brecklyn™ Single Handle Pullout Kitchen Faucet

**Models:** 87557 series

**NOTE:** DESIGNED TO INSTALL  
THROUGH 1, 2, 3 OR 4 HOLES 1-1/2" (38mm) DIA.



### CRITICAL DIMENSIONS (DO NOT SCALE)