



Buy it for looks. Buy it for life.®

DESCRIPTION

- Component construction with various finishes identified by suffix
- Pressure balancing cycle valve design with an adjustable temperature limit stop
- 1/2" IPS/CC connections
- Includes valve, showerhead, tub spout, arm and flange

OPERATION

- Lever style handle
- Handle operates counterclockwise through a 270° arc with off at 6 o'clock and maximum hot at the 9 o'clock position. Shut off in clockwise direction
- Adjustable temperature limit stop to control maximum hot water temperature
- Pressure balancing mechanism maintains selected discharge temperature to ± 2°

FLOW

- Showerhead is limited to 2.0 gpm (7.6 L/min) maximum and 1.5 gpm (5.7 L/min) minimum at 45 psi.

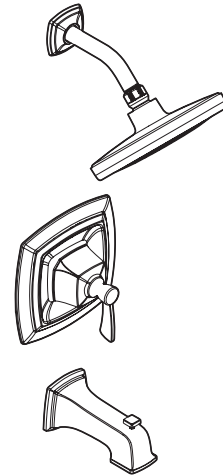
STANDARDS

- Third party certified to ASME A112.18.1/CSA B-125.1 and all applicable requirements referenced therein
- **ADA** for lever handle
- Meets WaterSense® criteria
- Meets New York City Local Law No. 57

WARRANTY

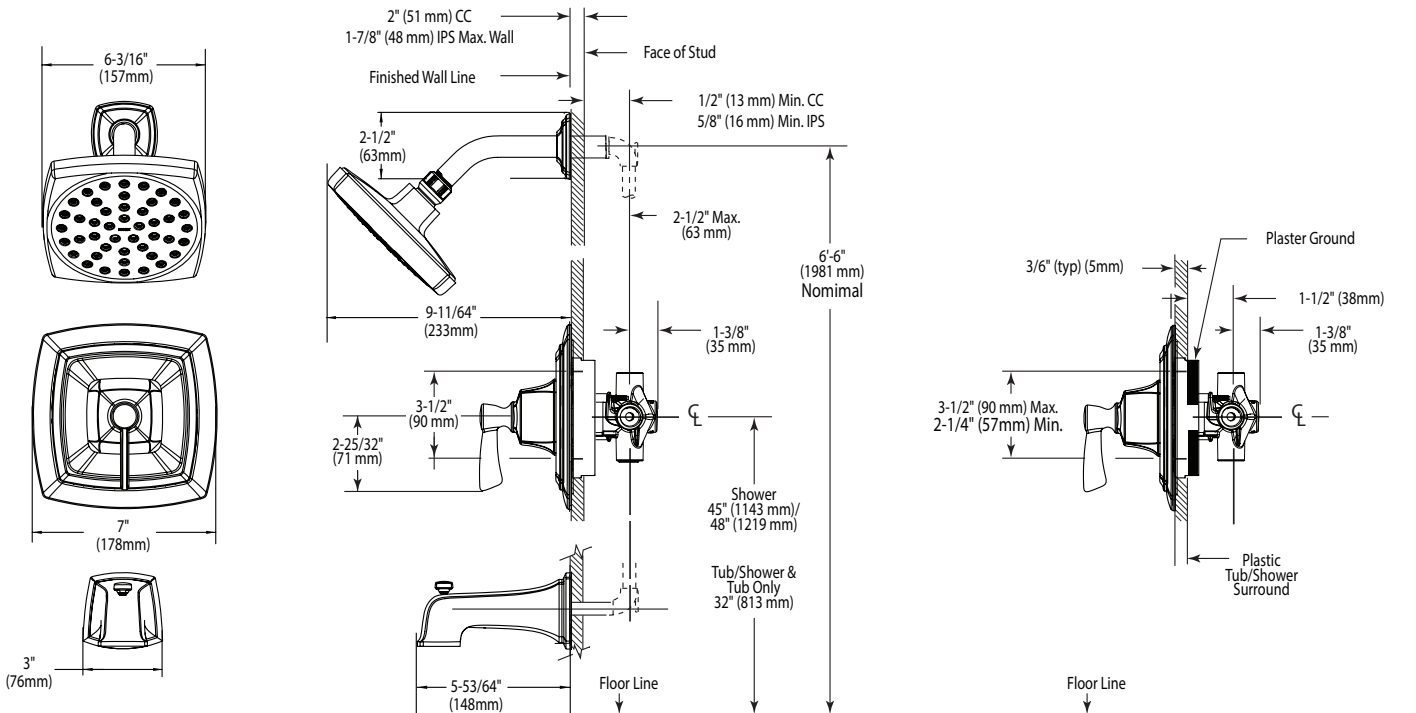
- Lifetime limited warranty against leaks, drips and finish defects to the original consumer purchaser
- 5 year warranty if used in commercial installations

Specifications



**Conway™
Posi-Temp®
Single-Handle Tub/Shower**

MODEL: 82922 Series



CRITICAL DIMENSIONS

(DO NOT SCALE)