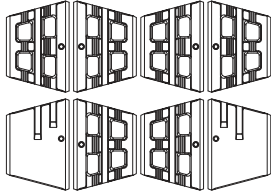




SEMMA

DESCRIPTION: Wall double-sided **TEXTURE:** Split Face

PALLET OVERVIEW



COMPATIBLE CAPS

See page 141 for product compatibility.

NOTES

When building a double-sided wall one pallet will cover an average of 21.74 ft².

The corner units for the Semma block should be glued with a concrete adhesive.

The corner unit can be used as a right or left corner unit and as a regular unit. Metric measures are approximate.

See page 136 to 157 for more technical information.

Specifications per pallet	Imperial	Metric
	40 units	40 units
Cubing	26.25 ft ²	2.44 m ²
	53.33 lin. ft	16.26 lin. m
Approx. Weight	2 363 lbs	1 072 kg
Number of rows	5	
Coverage per row	5.25 ft ²	0.49 m ²
Linear coverage per row	10.67 lin. ft	3.25 lin. m

	Unit dimensions	in	mm	Units/pallet
REGULAR	Height	5 7/8	150	30 units
	Depth	11	279	
	Length 1	16	406	
	Length 2	10 1/2	266	
CORNER	Height	5 7/8	150	10 units
	Depth	11	279	
	Length 1	16	406	
	Length 2	10 1/2	266	

Chestnut Brown Sandlewood Champlain Grey Shale Grey

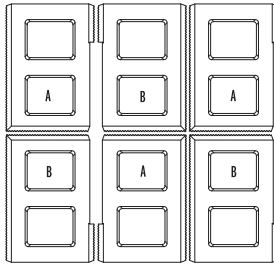




SEMMA

DESCRIPTION: Corner or Pillar **TEXTURE:** Split Face

PALLET OVERVIEW



Specifications per pallet	Imperial	Metric
Cubing	24 units	24 units
Approx. Weight	1 403 lbs	636 kg
Number of rows	4	
Pillar height	35 $\frac{7}{16}$ in	900 mm

Unit dimensions	in		mm		Units/pallet
	in	mm	in	mm	
Height	5 $\frac{7}{8}$	150			24 units
Depth	10 $\frac{1}{2}$	266			12 right corners
Length	16	406			12 left corners



COMPATIBLE CAPS

See page 141 for product compatibility.

NOTES

See page 136 to 157 for more technical information.

Chestnut Brown



Sandlewood



Champlain Grey

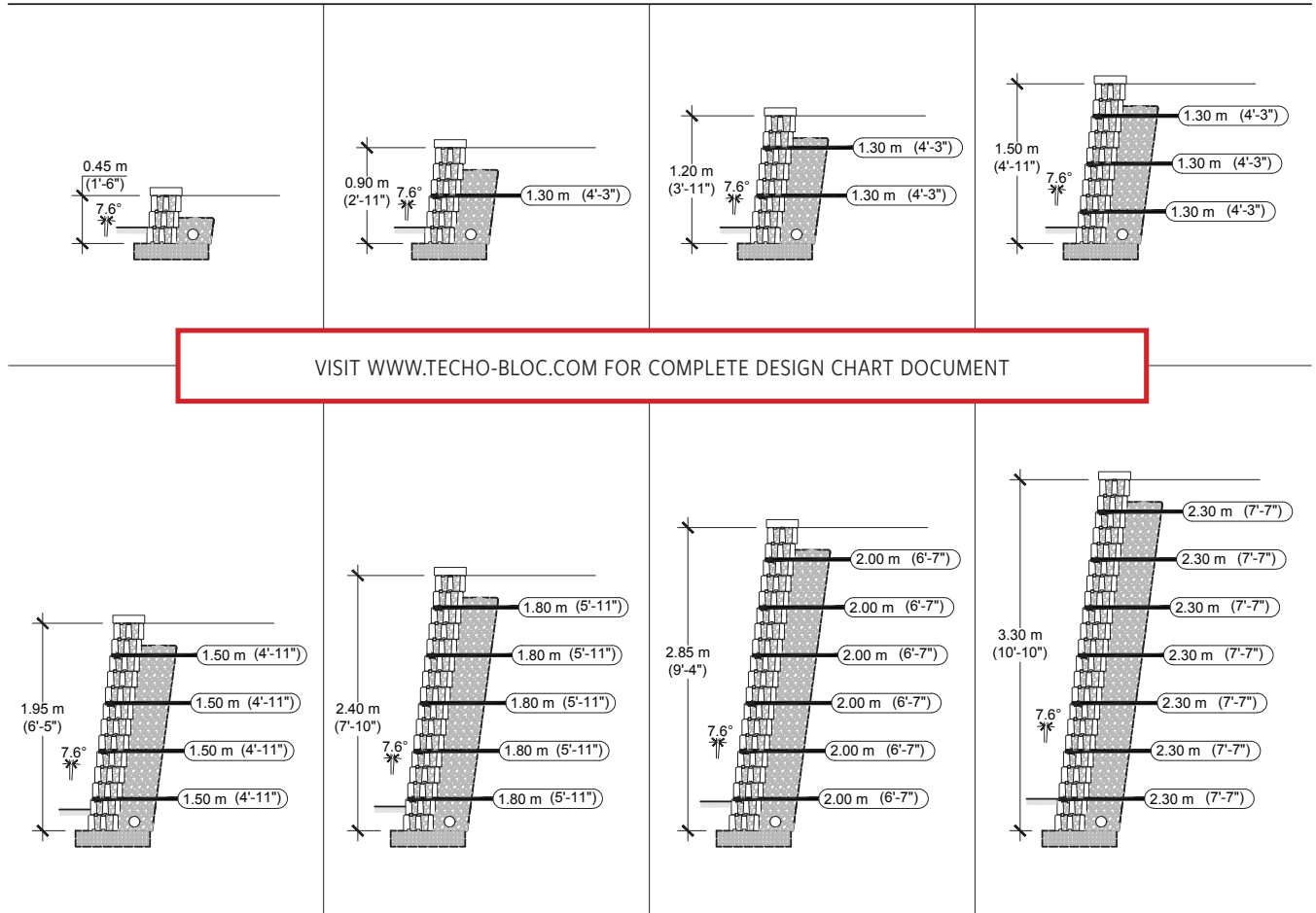


Shale Grey



REINFORCED SOIL: GRAVEL/ SAND AND GRAVEL MIXES ($\phi=35^\circ$, $\gamma = 22 \text{ kN/m}^3$)
 GEOGRID: MIRAGRID 3XT BY TENCATE (RFd=1.10, RFcr=1.45, RFid=1.25, Cds=0.9, Ci=0.9)

CASE N° 1 :
 No Surcharge
 No Backslope
 No Toe Slope



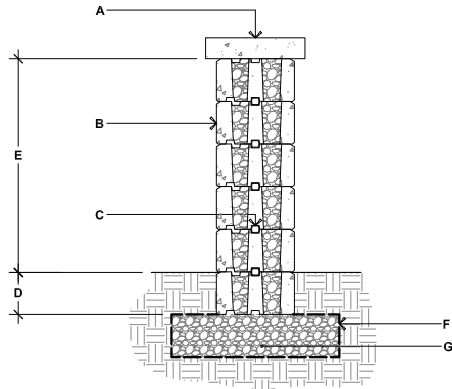
VISIT WWW.TECHO-BLOC.COM FOR COMPLETE DESIGN CHART DOCUMENT

1. The information contained in the design charts is supplied for information purposes only and as such should only be used for preliminary designs.
2. The height (H) of the wall is the total height from the leveling pad to the top of the wall not including the thickness of the cap.
3. Soil parameters: reinforced soil ($\phi = 35^\circ$, $\gamma = 22 \text{ kN/m}^3$); retained soil ($\phi = 26^\circ$, $\gamma = 20 \text{ kN/m}^3$); foundation soil ($\phi = 26^\circ$, $\gamma = 20 \text{ kN/m}^3$)
4. A qualified engineer should be consulted for the final design to be used for construction.
5. The foundation soil must be able to support the wall system. The bearing capacity of the foundation soil, settlement, and global stability must be verified and validated by a qualified geotechnical engineer.
6. The seismic analysis is not included.
7. The design charts do not apply to tiered walls.
8. The charts assume that the walls are constructed in accordance with Techo-Bloc specifications, good construction practice and an adequate drainage system.
9. The geogrid layout has been optimized to satisfy the design requirements of the NCMA's Design Manual for Segmental Retaining Walls, 3rd Edition.
10. The minimum burial depth must be 150 mm (6 in) or 10% of the exposed height, whichever is greater.
11. Engineering judgement should be used when interpolating between heights.
12. Techo-Bloc and its predecessors, successors, beneficiaries, employees, associates, administrators and insurers accepts no liability for the incorrect use of information contained in the design charts.
13. For further information, please contact our technical service department.

INSTALLATION GUIDE

FREESTANDING WALLS - SEMMA

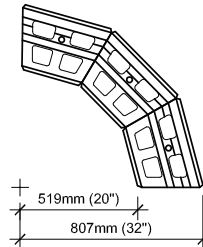
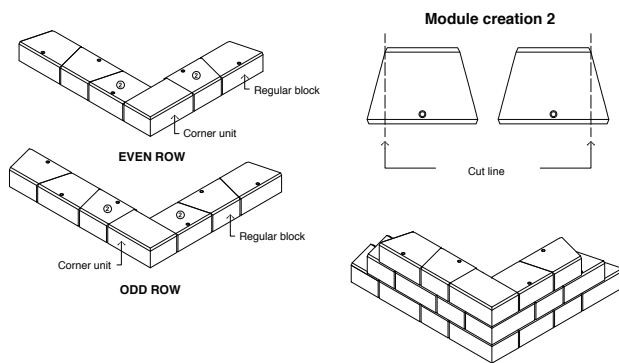
SEMMA



- A.** TECO-BLOC CAP UNIT SECURED TO UNIT BELOW WITH FLEXLOCK ADHESIVE
- B.** SEMMA DOUBLE-SIDED WALL UNIT SECURE EACH ROW WITH FLEXLOCK ADHESIVE
- C.** CONNECTOR
- D.** EMBEDMENT DEPTH, 6" (150 mm) MIN.
- E.** 29 7/16" (750 mm) MAX.
- F.** GEOTEXTILE
- G.** COMPACTED GRANULAR LEVELING PAD, 6" (150 mm) THICK MIN. THICKNESS ACCORDING TO PROJECT SPECIFIC CONDITIONS

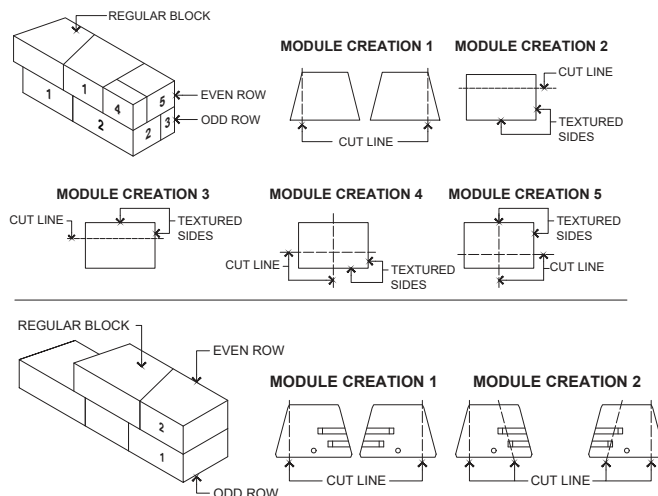
90° CORNER OF A DOUBLE-SIDED WALL

DOUBLE-SIDED WALL RADIUS



It is the user's responsibility to verify for the quantity of materials required.

DOUBLE-SIDED WALL - END OF A STRAIGHT WALL



GENERAL NOTES

1. Alternate odd and even rows.
2. Stagger joints from one row to the next.
3. Glue all modules at each row with Flexlock adhesive.
4. Cavities, grooves and connectors are not illustrated to avoid overloading the image.

PLEASE REFER TO P.4 FOR THE CORRECT USE AND LIMITATIONS OF PROVIDED TECHNICAL INFORMATION.

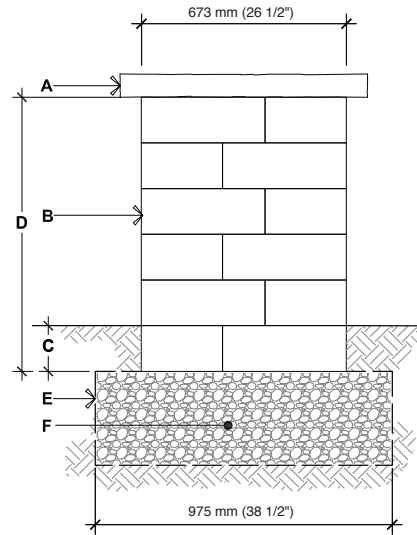
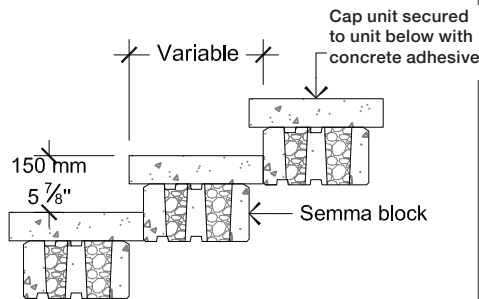
INSTALLATION GUIDE

PILLARS - SEMMA



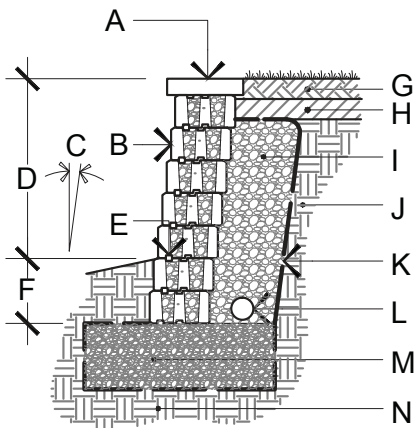
- A.** PILLAR CAP UNIT (SECURE WITH FLEXLOCK ADHESIVE)
- B.** SEMMA PILLAR UNIT SECURE EACH ROW WITH FLEXLOCK ADHESIVE
- C.** EMBEDMENT 6" (150 mm) MIN.
- D.** 35 7/16" (900 mm), HEIGHT PER PALLET 47 1/4" (1200 mm), MAXIMUM HEIGHT
- E.** GEOTEXTILE
- F.** COMPACTED GRANULAR BASE 6" (150mm) THICK MIN. THICKNESS ACCORDING TO PROJECT SPECIFIC CONDITIONS

STEPS



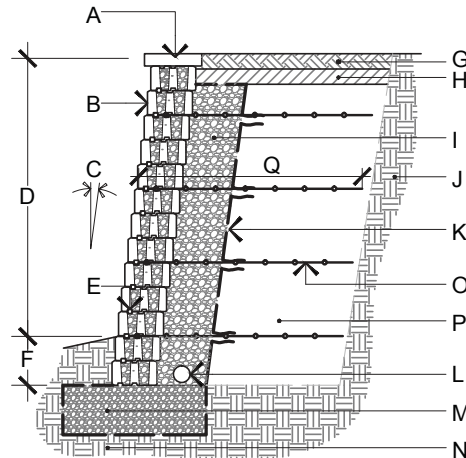
For all possible combinations of pillars and caps, please refer to the correspondence table on page 141

GRAVITY AND REINFORCED WALLS - SEMMA



GRAVITY WALL DETAIL

- A.** CAP FROM TECO-BLOC
- B.** SEMMA BLOCK FROM TECO-BLOC
- C.** WALL INCLINATION (7.6°)
- D.** EXPOSED HEIGHT
- E.** HDPE HORIZONTAL KEY
- F.** EMBEDMENT DEPTH
- G.** TOP SOIL
- H.** LOW PERMEABILITY SOIL
- I.** 3/4" (20 mm) CLEAN STONE, 13" (330 mm) THICK MIN.

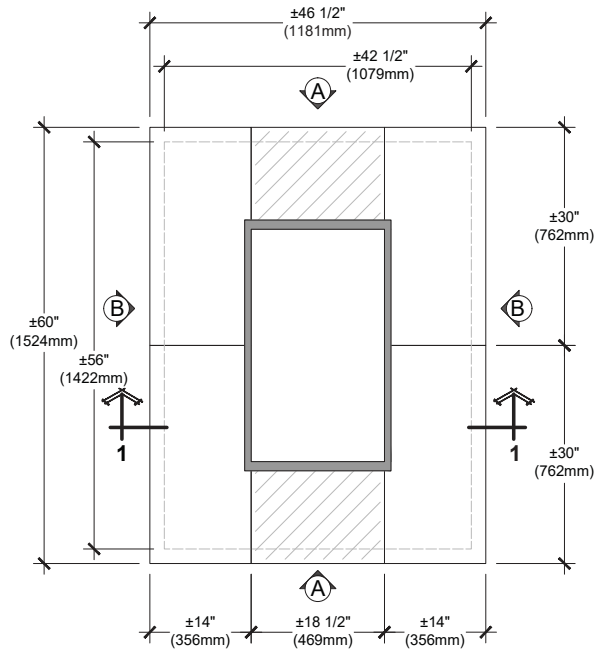


REINFORCED WALL DETAIL

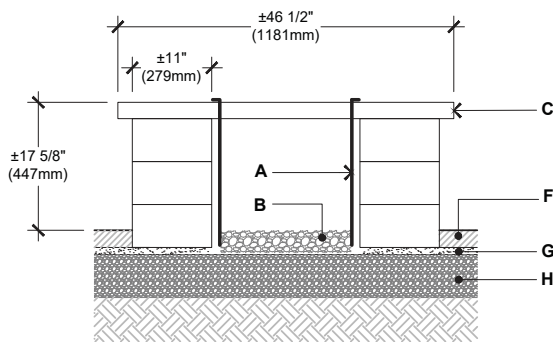
- J.** RETAINED SOIL
- K.** GEOTEXTILE
- L.** PERFORATED DRAIN
- M.** LEVELING PAD
- N.** FOUNDATION SOIL
- O.** GEOGRID
- P.** REINFORCED SOIL
- Q.** GEOGRID LENGTH

INSTALLATION GUIDE

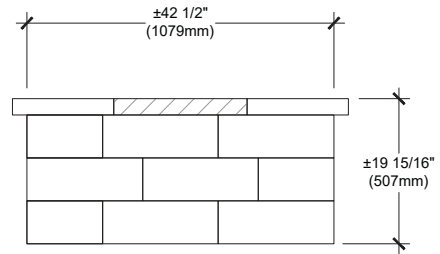
FIREPIT - SEMMA



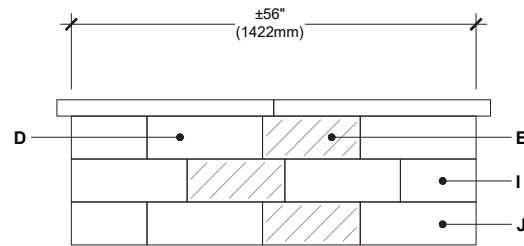
TOP



SECTION 1-1



ELEVATION A



ELEVATION B

 CUT ON FIELD

- A. STEEL BOX INSERT
- B. CLEAN STONE 3/4" (20 mm), 4" (100 mm) THICK
- C. PIEDIMONTE CAP 14"X30" (CUT ON FIELD AS REQUIRED)
- D. SEMMA BLOCK (A OR B UNIT)
- E. SEMMA BLOCK (A OR B UNIT) CUT ON FIELD AS REQUIRED
- F. TECO-BLOC PAVERS OR SLABS
- G. SETTING BED 1" (25 mm)
- H. COMPACTED GRANULAR 0- 3/4" (0-20 mm)
- I. SEMMA PILLAR UNIT (LEFT CORNER)
- J. SEMMA PILLAR (RIGHT CORNER)

QUANTITY OF MATERIALS REQUIRED

- Piedimonte Cap (14"x30"): 6
- Semma (A or B): 24
- Semma Pillar: 12 (8 RIGHT CORNER, 4 LEFT CORNERS)

NOTE: Secure the blocks using a heat resistant concrete adhesive. The installer must ensure that the installation and use of the firepit comply with local regulations and code requirements.