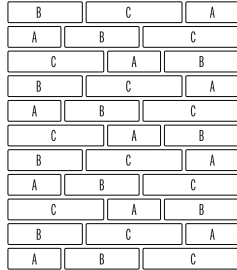




LINEA SMALL RECTANGLES

DESCRIPTION: Paver TEXTURE: Smooth

PALLET OVERVIEW









NOTES

See page 62 to 64 for more technical information.

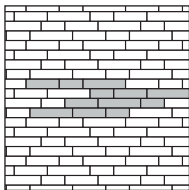
See page 30 for more information about applications.

Specifications per pallet	Imperial	Metric
Cubing	80.81 ft²	7.51 m ²
Approx. Weight	3 634 lbs	1 648 kg
Number of rows	7	
Coverage per row	11.54 ft ²	1.07 m ²
Linear coverage per row	35.25 lin. ft	10.74 lin. m

	Unit dimensions	in	mm	Units/pallet
	Height	3 ¹⁵ / ₁₆	100	77 units
	Width	3 ¹⁵ / ₁₆	100	
	Length	8 ⁷ / ₈	225	
	Height	3 ¹⁵ / ₁₆	100	77 units
	Width	3 ¹⁵ / ₁₆	100	
	Length	12 ¹³ / ₁₆	325	
	Height	3 ¹⁵ / ₁₆	100	77 units
	Width	3 ¹⁵ / ₁₆	100	
	Length	16 ³ / ₄	425	

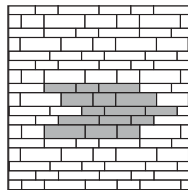
01 | Linear pattern

100% - small rectangles



03 | Linear pattern

52% - large rectangles | 48% - small rectangles



Patterns are for design inspiration only. The installer is responsible to calculate & purchase the correct amount of material.

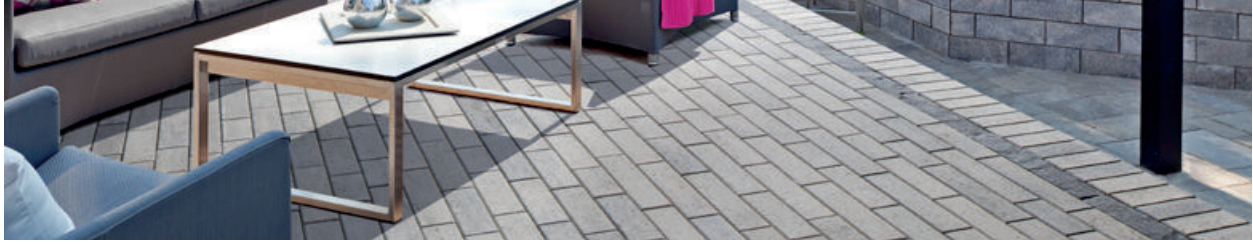
Chestnut Brown

Champlain Grey

Shale Grey

Onyx Black

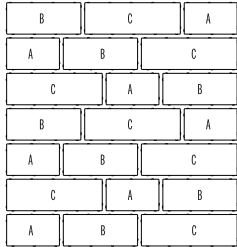




LINEA LARGE RECTANGLES

DESCRIPTION: Paver **TEXTURE:** Smooth

PALLET OVERVIEW







NOTES

See page 62 to 64 for more technical information.

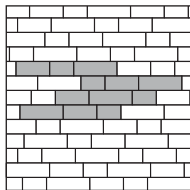
See page 30 for more information about applications.

Specifications per pallet	Imperial	Metric
Cubing	77.14 ft²	7.17 m ²
Approx. Weight	3 561 lbs	1 615 kg
Number of rows	7	
Coverage per row	11.02 ft ²	1.02 m ²
Linear coverage per row	22.40 lin. ft	6.83 lin. m

	Unit dimensions	in	mm	Units/pallet
 A	Height	3 15/16	100	49 units
	Width	5 7/8	150	
	Length	8 7/8	225	
B	Height	3 15/16	100	49 units
	Width	5 7/8	150	
	Length	12 13/16	325	
C	Height	3 15/16	100	49 units
	Width	5 7/8	150	
	Length	16 3/4	425	

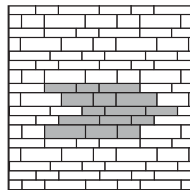
02 | Linear pattern

100% - large rectangles



03 | Linear pattern

52% - large rectangles | 48% - small rectangles



Patterns are for design inspiration only. The installer is responsible to calculate & purchase the correct amount of material.

Chestnut Brown

Champlain Grey

Shale Grey

Onyx Black

