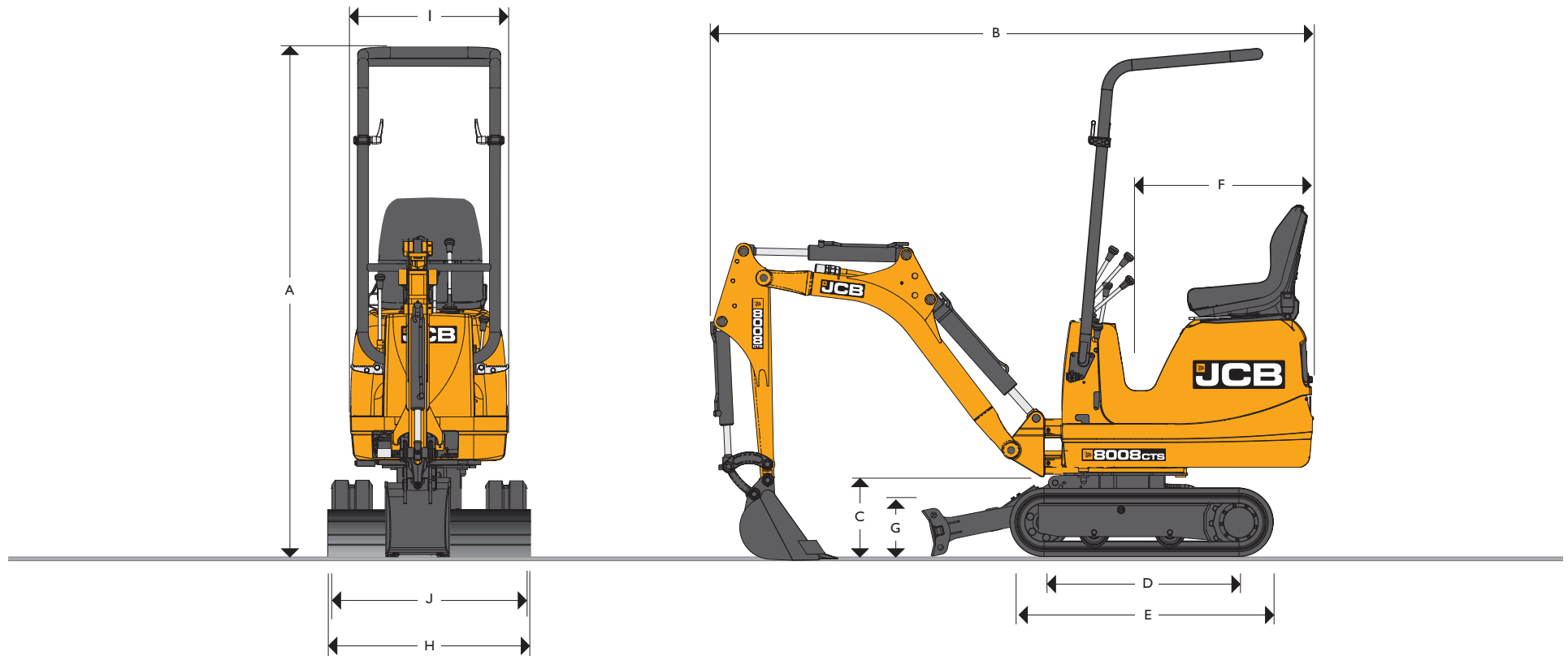


OPERATING WEIGHT: 950 kg (2094 lb) MAX. ENGINE POWER: 9.0 kW (12.0 hp)



PERFORMANCE AND DIMENSIONS

A	Overall height (trans pos)	mm (ft-in)	2310 (7-7)	I	Superstructure width	mm (ft-in)	695 (2-3)
B	Overall length (trans pos)	mm (ft-in)	2682 (8-9)	J	Width over tracks (retracted)	mm (ft-in)	700 (2-4)
C	Kingpost clearance	mm (ft-in)	356 (1-2)		Width over tracks (extended)	mm (ft-in)	865 (2-10)
D	Sprocket idler centres	mm (ft-in)	865 (2-8)		Max bucket tearout	kN (lbf)	9.3 (2091)
E	Undercarriage length	mm (ft-in)	1165 (3-10)		Max dipper tearout	kN (lbf)	4.6 (1034)
F	Tailswing	mm (ft-in)	800 (2-7)		Travel speed	kph (mph)	1.8 (1.1)
G	Dozer height	mm (in)	200 (8)		Drawbar pull	kN (lbf)	7.75 (1742)
H	Dozer width (retracted)	mm (ft-in)	700 (2-4)		Slew speed	rpm	7
	Dozer width (extended)	mm (ft-in)	900 (2-11)				



ENGINE

Model		403D-07
Rated power – ISO 14396 (SAE J1995 – Gross)		
Gross power	kW (hp) @ 1800 rpm	9.0 (12.0)
Gross torque	Nm (lbf ft) @ 1800 rpm	46 (33.9)
Displacement	cc	762
Gradeability	degrees	35
Starter motor	kW (hp)	1.2 (1.6)
Alternator	amp	15

UNDERCARRIAGE

No of bottom rollers		2
Track width	mm (in)	180 (7)
Ground bearing pressure	Kg/cm ² (psi)	0.23 (3.3)
Ground clearance	mm (in)	130 (5.0)
Track tensioning		Grease

HYDRAULICS

Pump		2 section gear
Nominal output	lpm (gpm)	11.2 x 2 (2.5 x 2)
Excavator/track main relief	bar (psi)	170 (2465)
Slew main relief	bar (psi)	90 (1305)
Auxiliary hydraulic flow	ltr (gal)	22.4 (5.0)
Hydraulic motors		Piston

SERVICE CAPACITIES

Water system capacity	ltr (gal)	2.6 (0.6)
Fuel tank capacity	ltr (gal)	11.5 (2.5)
Engine oil capacity	ltr (gal)	3.0 (0.7)
Hydraulic system capacity	ltr (gal)	21 (4.6)
Hydraulic tank capacity	ltr (gal)	16 (3.5)

MACHINE WEIGHTS

Operating weight*	kg (lb)	950 (2094)
Transport weight with 2 post TOPS	kg (lb)	875 (1929)
2 post TOPS weight	kg (lb)	35 (77)

STANDARD AND OPTIONAL EQUIPMENT

TOPS certified frame	Optional
Front handrail only	Optional
Full audible systems	Standard
Toolkit	Optional
Slew travel lock	Standard
Rubber tracks	Standard
Extending undercarriage	Standard
ISO pattern controls	Standard
Vinyl static seat	Standard
880mm dipper	Standard
Boom offset	Standard
Dozer blade	Standard
Double acting pipework	Optional
Boom worklight	Optional
General purpose buckets:	
160mm (6") to 410mm (16")	Optional
Ditching / grading buckets:	
700mm (28")	Optional
JCB Breaker: HM60	-
Earth drills	Optional

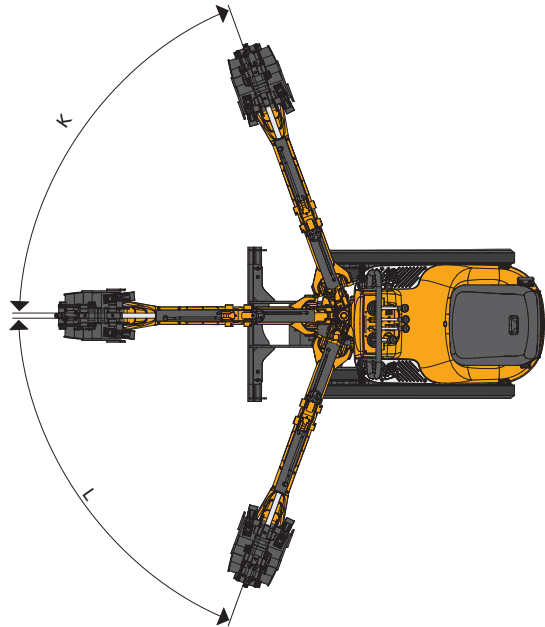
† Please note the TOPS frame may be a legal requirement in your territory.

* Operating weight to ISO 6016 including 2 post TOPS frame, rubber tracks, standard dipper, standard dozer, 300mm bucket, full tanks and a 75kg operator.

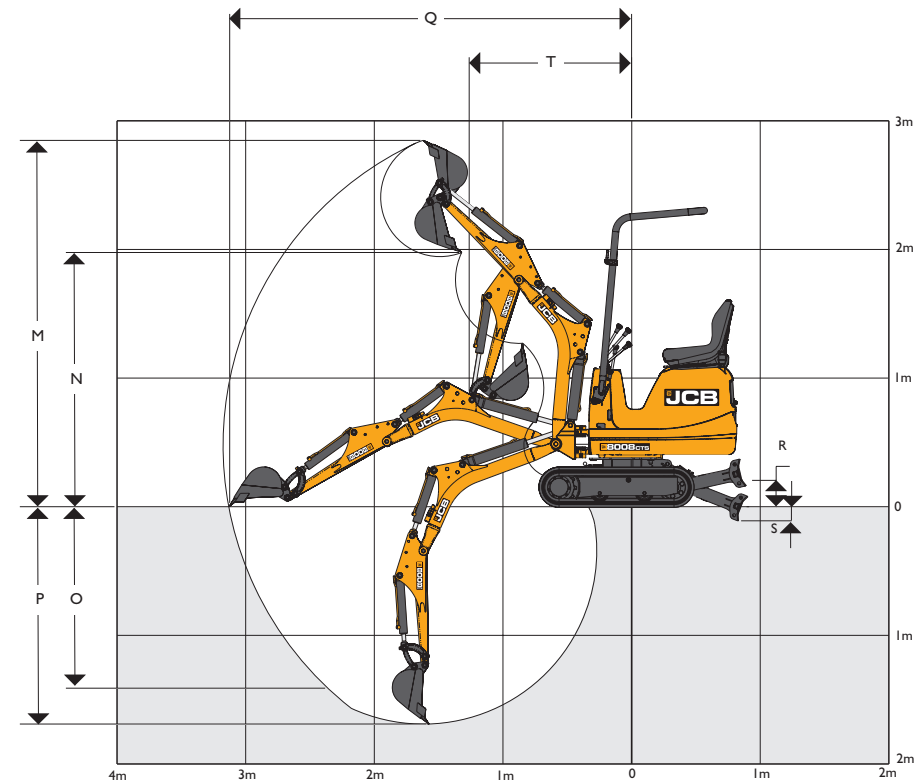
S = Standard O = Optional

BOOM SWING RADIUS

K	Boom swing right	degrees	70
L	Boom swing left	degrees	70


WORKING RANGE

M	Max dig height	mm (ft-in)	2840 (9-4)
N	Max dump height	mm (ft-in)	1980 (6-6)
O	Max vertical dig depth	mm (ft-in)	1480 (4-10)
P	Max dig depth-dozer up	mm (ft-in)	1690 (5-6)
Q	Max ground level reach	mm (ft-in)	3110 (12-2)
	Bucket rotation	degrees	191°
R	Dozer cut above ground	mm (in)	200 (8)
S	Dozer cut below ground	mm (in)	110 (4)
T	Min. slew radius	mm (ft-in)	1240 (4-1)



A GLOBAL COMMITMENT TO QUALITY

JCB's total commitment to its products and customers has helped it grow from a one-man business into Britain's largest privately owned manufacturer of backhoe loaders, crawler excavators, wheeled excavators, telescopic handlers, wheeled loaders, dump trucks, rough terrain fork lifts, industrial fork lifts, mini/midi excavators, skid steer loaders, tractors and compaction equipment.

By making constant and massive investments in the latest production technology, the JCB factories have become some of the most advanced in the world.

By leading the field in innovative research and design, extensive testing and stringent quality control, JCB machines have become renowned all over the world for performance, value and reliability.

And with a global sales and service network of more than 650 dealers and agents, we aim to deliver the best customer support in the industry.

Through setting the standards by which others are judged, JCB has become one of the world's most impressive success stories.

