

RELN TRADITIONAL PITS



Domestic Traditional Pits

- Ideal for use under downpipes, as a junction box, or at the end of a surfacewater drainage channels
- Designed for large household surfacewater drainage
- Australian Made from 100% recycled plastic
- Available in Class A, B and C Grates. All grates comply to Australian Standards



250 Rainwater Pit

Use a 250 Pit with bottom removed as a riser for 250 Pit



Series 300 Pit

300 Pit also available as a RELN Blackwater Distribution Pit



Series 300 Deep Pit

Risers available for 300 Pit and 300 Deep Pit



Leaf Guards available for 250, 300 and 300 Deep Pits

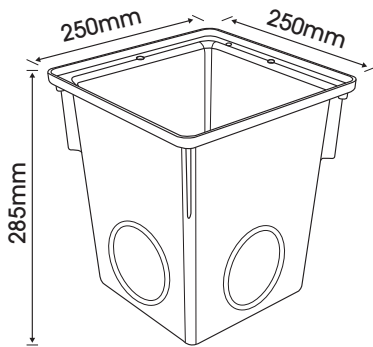
All 300 & 300 Deep Pits have Anti-Tamper Grates



Light Domestic Traditional Pits

This complete range of square and environmental pits with conventional and security grates will suit every domestic application. Our range of innovative features and extensive grate options make installing simple and flexible for both DIYers and Trade.

- > **Series 250 - Capacity: 10.5L**
 (250 x 250 x 285mm)
 Also known as Rainwater Pit.



- Perfect under downpipes, as a junction box or at the end of surface water drainage channel
- Household surface water drainage

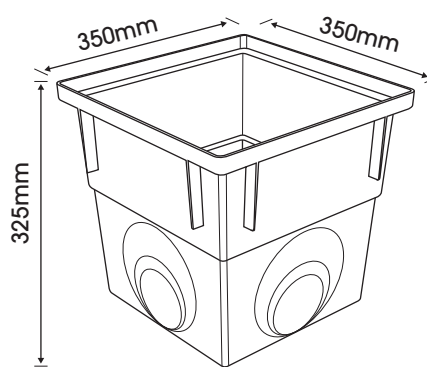
Grate Options: (248 x 248 x 8mm);
 Black Plastic, Portland Grey Plastic,
 Sandstone Plastic, Terracotta Plastic,
 Plain Aluminium, Sandstone Aluminium,
 Terracotta Aluminium, Architectural Steel

Risers: To be used with series 250
 Rainwater Pit, with the base cut out

Accessories: Reln Leaf Guard Basket

Display: Brochure Available

- > **Series 300 - Capacity: 22L**
 (350 x 350 x 325mm)



- Ideal for pedestrian and light vehicle traffic
- Large household surfacewater drainage

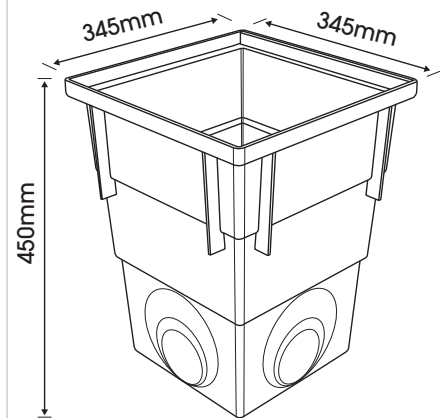
Grate Options: (330 x 330 x 20mm)
 Plain, Sandstone and Terracotta
 Aluminium, Ductile Iron Class C Civil,
 Light Duty Galvanised Steel Class A,
 Light Duty Heel Guard Galvanised
 Steel Class A, Solid Alloy Lid

Risers: Height 250mm

Accessories: Reln Leaf Guard Basket

Display: Brochure Available

- > **Series 300 Deep - Capacity: 32L**
 (345 x 345 x 450mm)



- Ideal for pedestrian and light vehicle traffic
- Large household surfacewater drainage

Grate Option: (330 x 330 x 20mm)
 Plain, Sandstone and Terracotta
 Aluminium, Ductile Iron Class C
 Civil, Light Duty Galvanised Steel
 Class A, Light Duty Heel Guard
 Galvanised Steel Class A, Solid Alloy
 Steel Lid

Risers: Height 250mm

Accessories: Galvanised Trash
 Screen with handle.

Display: Brochure Available

> Frequently Asked Questions

Q1. Series 250 – where can you use this pit?

A. Any area around your yard in combination with horizontal pipe work.

Q2. Series 250 – are flat grates available?

A. Yes. The 316 Electro polished Stainless Steel Architectural Grate is available for use with the Series 250 Rainwater Pit.

Q3. What size pipes can connect to the pits?

A. Traditional Pits run on a horizontal pipework and can connect to 90mm and 100mm PVC pipe. (Larger PVC stormwater pipes can run through the pits, just cut hole to size).

Q4. What Risers are available?

A. Risers are available for Series 300 (short and deep), 410, 450, 600 Pits. Series 250 Pit uses another Series 250 Pit with bottom cut out. Uni-Pit Vortex require no risers as they connect to vertical pipework. Polymer Concrete pits have their own risers.

Q5. How do I fit the PVC pipe to the Traditional Pits?

A. Use silicon to seal and secure pipework to Traditional Pits. Only Uni-Pit Vortex can be easily secured with silicon glue as well.

Q6. What is the load rating of the grates?

A. See our Class Load Rating table for more information.

RELN TRADITIONAL PITS



Installation Instructions

Conventional Pits

1. Excavate hole for pit to required depth
2. Bed pit on a sand base to set top of pit at installed level
3. Mark and cut pipe holes as required
4. Install pit in hole
5. Connect pipes
6. Seal pipe and pit with silicone
7. When installing a riser, ensure riser is secured to pit with supplied nuts and bolts, with washer on each side of the assembly. Seal around Riser and Pit base with silicone
8. Install grate - leave grate installed whilst back - filling and concreting
9. Even backfill around pit
10. Support pits and risers in a concrete collar - 250 and 300 series min 100mm thick x min 150 wide - 450 & 600 series min 150 thick x min 150mm wide